

MP-07 Pop Up Hook

Point hook · Recessed mount

Features

- Flush pop out hook
- Single, round hole installation
- Corrosion-resistant materials

Material

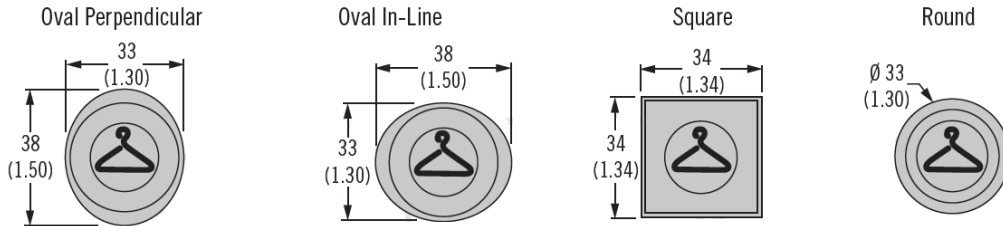
- Housing: Glass-filled nylon
- Flange and hook: Zinc alloy, plated

Installation Notes

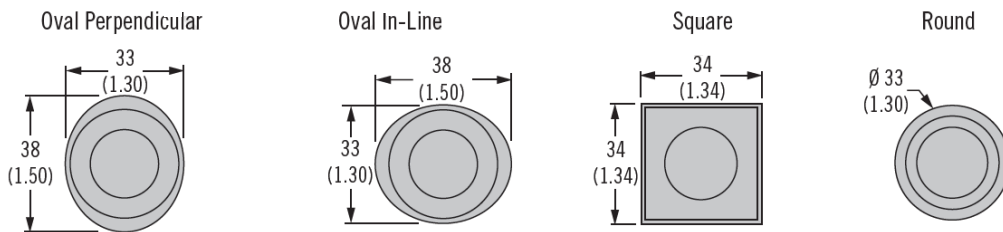
- Maximum tightening torque on mounting nut: 4.5 N.m



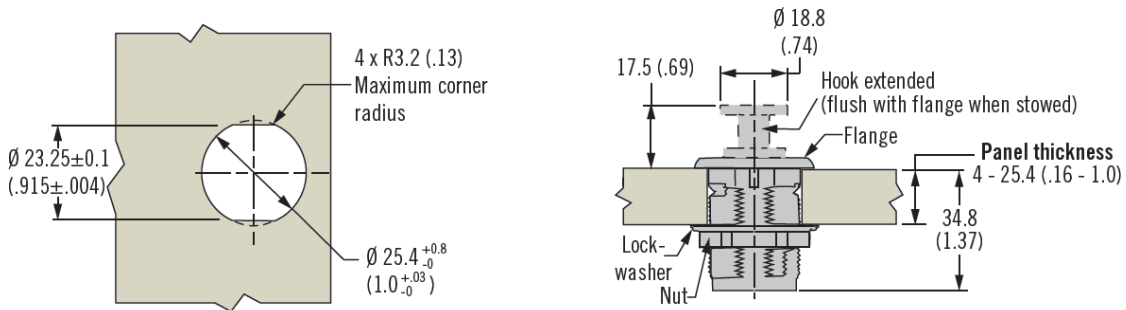
H Housing Style (with hanger image, I = 2)



H Housing Style (without hanger image, I = 3)



Installation



H Housing style

- 11 Oval perpendicular
- 12 Oval in-line
- 21 Square
- 31 Round

I Image

- 2 Hanger
- 3 Blank

MP - 07 - H I - F K

F Flange finish

- 1 Chrome plated
- 2 Satin chrome plated
- 3 Brushed nickel plated
- 4 Diamond brass plated
- 6 Satin nickel plated

K Hook finish

- 1 Chrome plated
- 2 Satin chrome plated
- 3 Brushed nickel plated
- 4 Diamond brass plated
- 6 Satin nickel plated